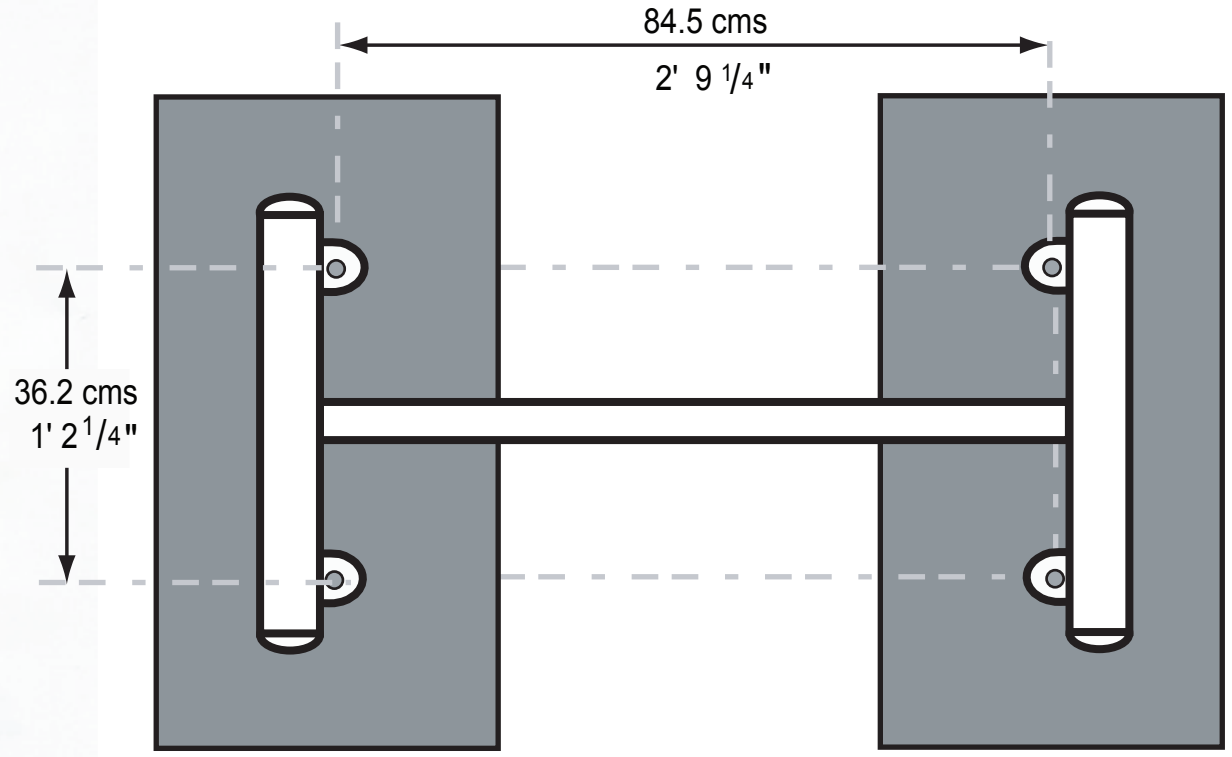


SKI WALKER SINGLE

Installation Drawing

OUTDOOR FITNESS

(877) 517-2200 or (719) 488-3812
support@outdoor-fitness.com



Instructions:

Excavate 2 holes measuring 40 by 80 centimeters (1' 3 3/4" by 2' 7 1/2"), as shown in the drawing .

Attach anchor bolts to the equipment. Place in hole using equipment as template for positioning the anchor bolts. Pour cement into the hole to form a cement layer and firmly hold the anchor bolts. Remove equipment as cement dries, allowing up to 24 hours. When the concrete is hardened, put the equipment on the surface of the cement using bolts to fix in place.

