

TABLE TENNIS (1/2)

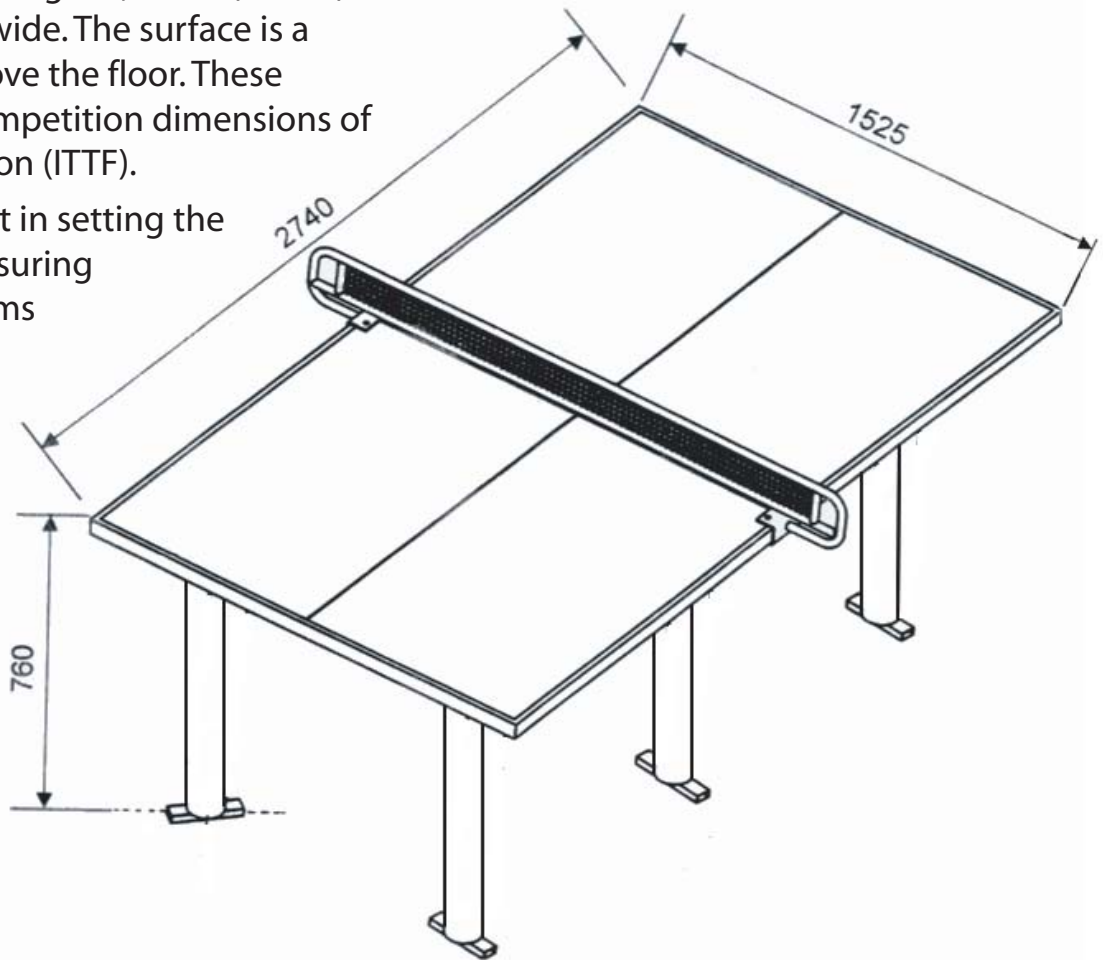
Installation Drawing

OUTDOOR FITNESS

(877) 517-2200 or (719) 488-3812
support@outdoor-fitness.com

The playing surface, is rectangular, 9 feet (2.74m) long and 5 feet (1.525m) wide. The surface is a horizontal plain 76cm above the floor. These are the official full-size competition dimensions of the International Federation (ITTF).

Precision is very important in setting the height of the table and assuring a flat surface plain at 76 cms above the surface.



Depth of concrete footings = 35 cms.

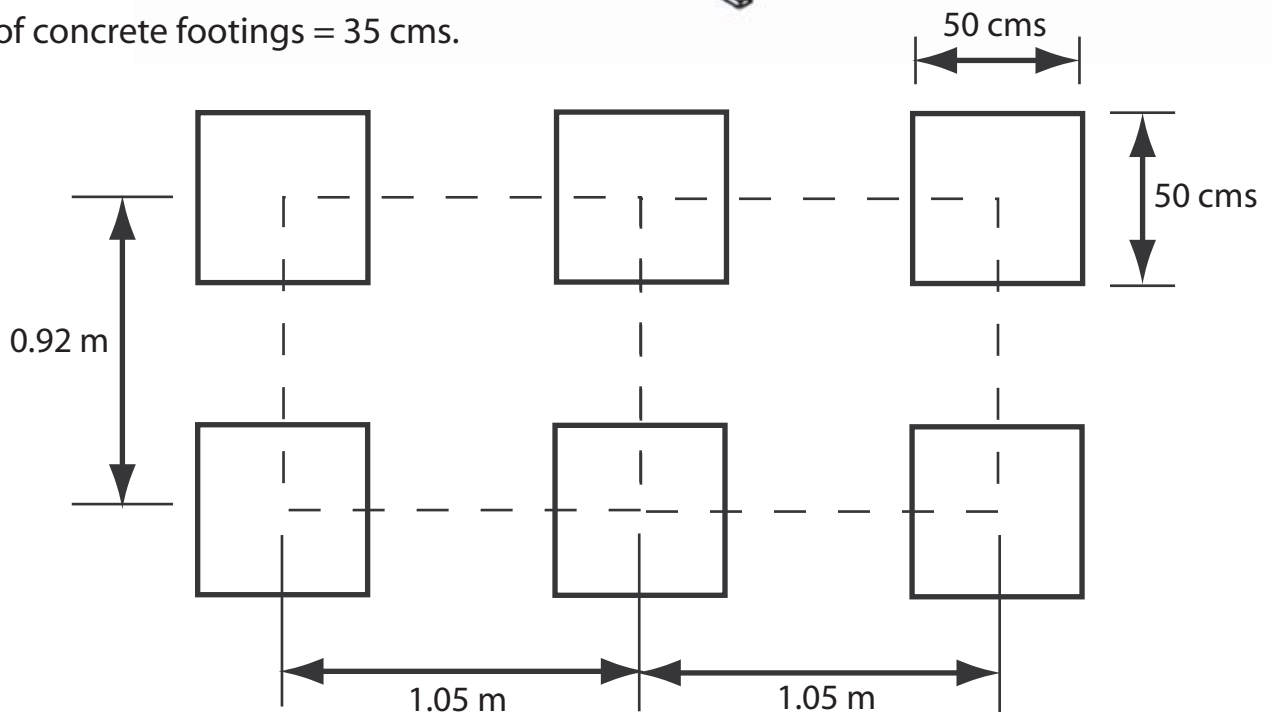


TABLE TENNIS (2/2)

Installation Drawing

OUTDOOR FITNESS

(877) 517-2200 or (719) 488-3812
support@outdoor-fitness.com

TABLE TENNIS Parts List			
KEY	DESCRIPTION	DIMENSIONS	NUMBER
1	Table Playing Surcace	1.525 m X 1.37 m X 0.05 m	2
2	End Legs	6 cms X 1.054 m	4
3	Center Legs	6 cms X 1.054 m	2
4	Net	1.725 m X 20 cms	1
5	Net Clamps	6.6 cms X 4.8 cms X 2.5 cms	4
6	Attachment Bolts	3/8" -16 X 32	28
7	Washers	1.1 cms X 2.2 X 2 mm	28

